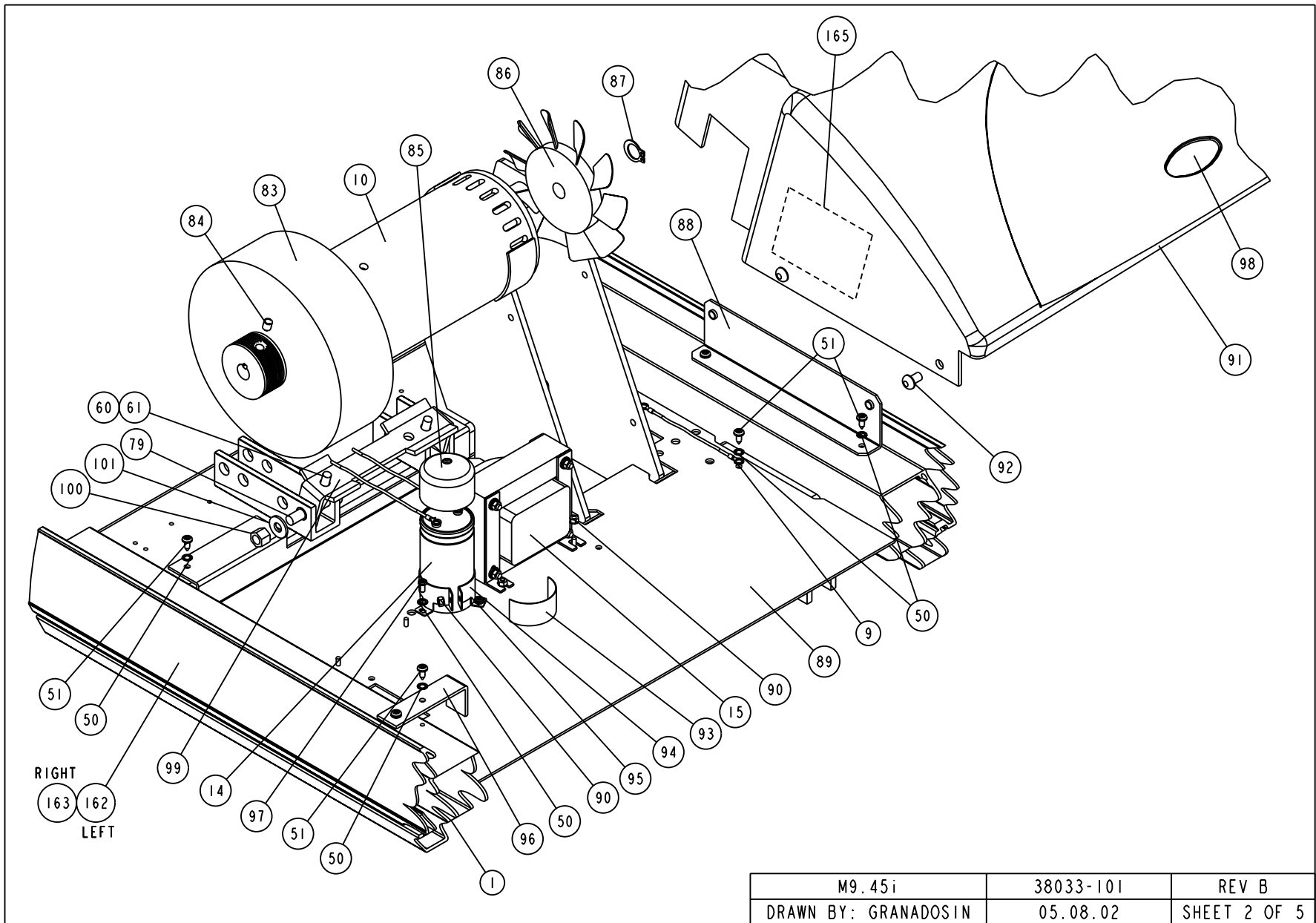
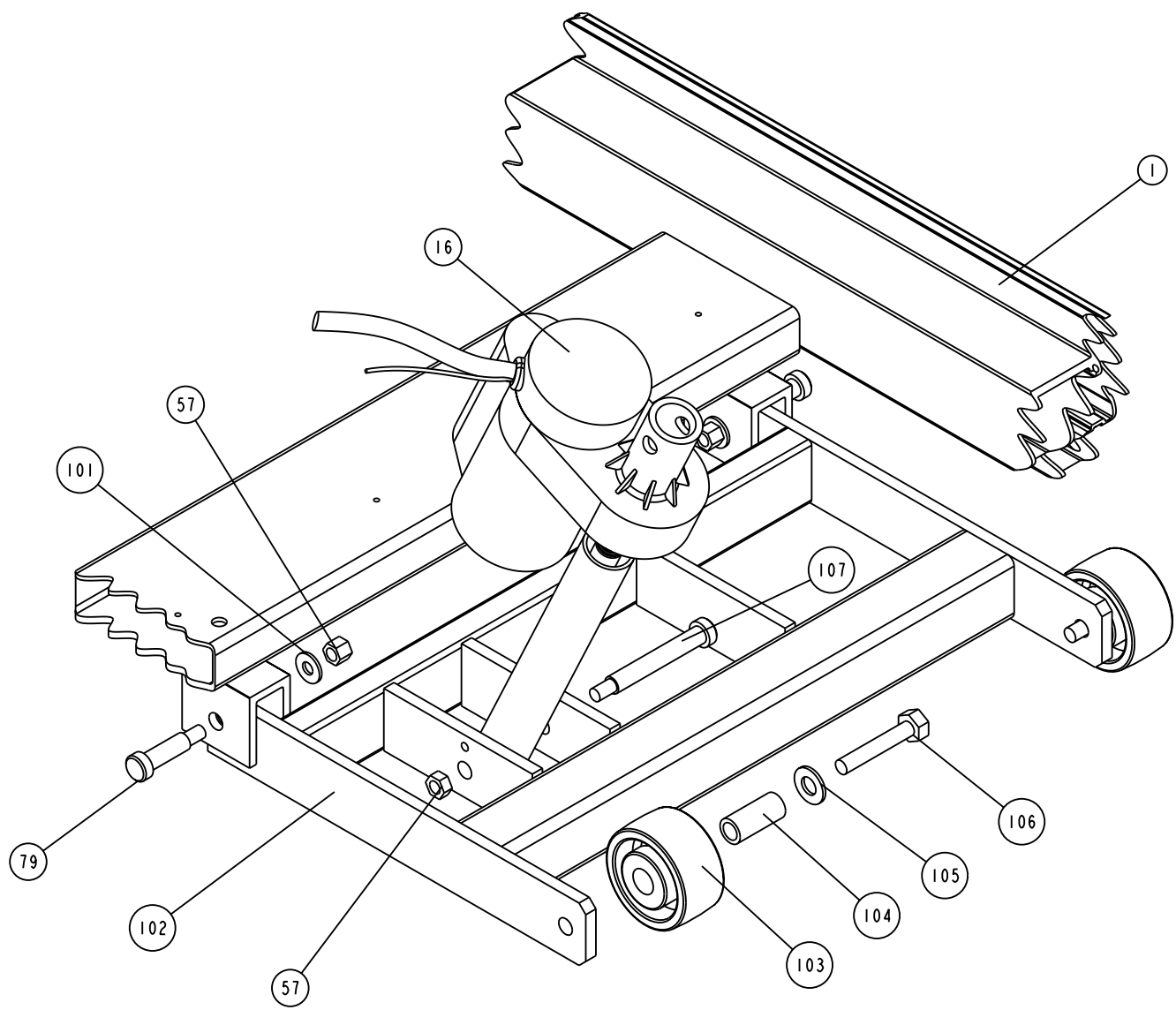
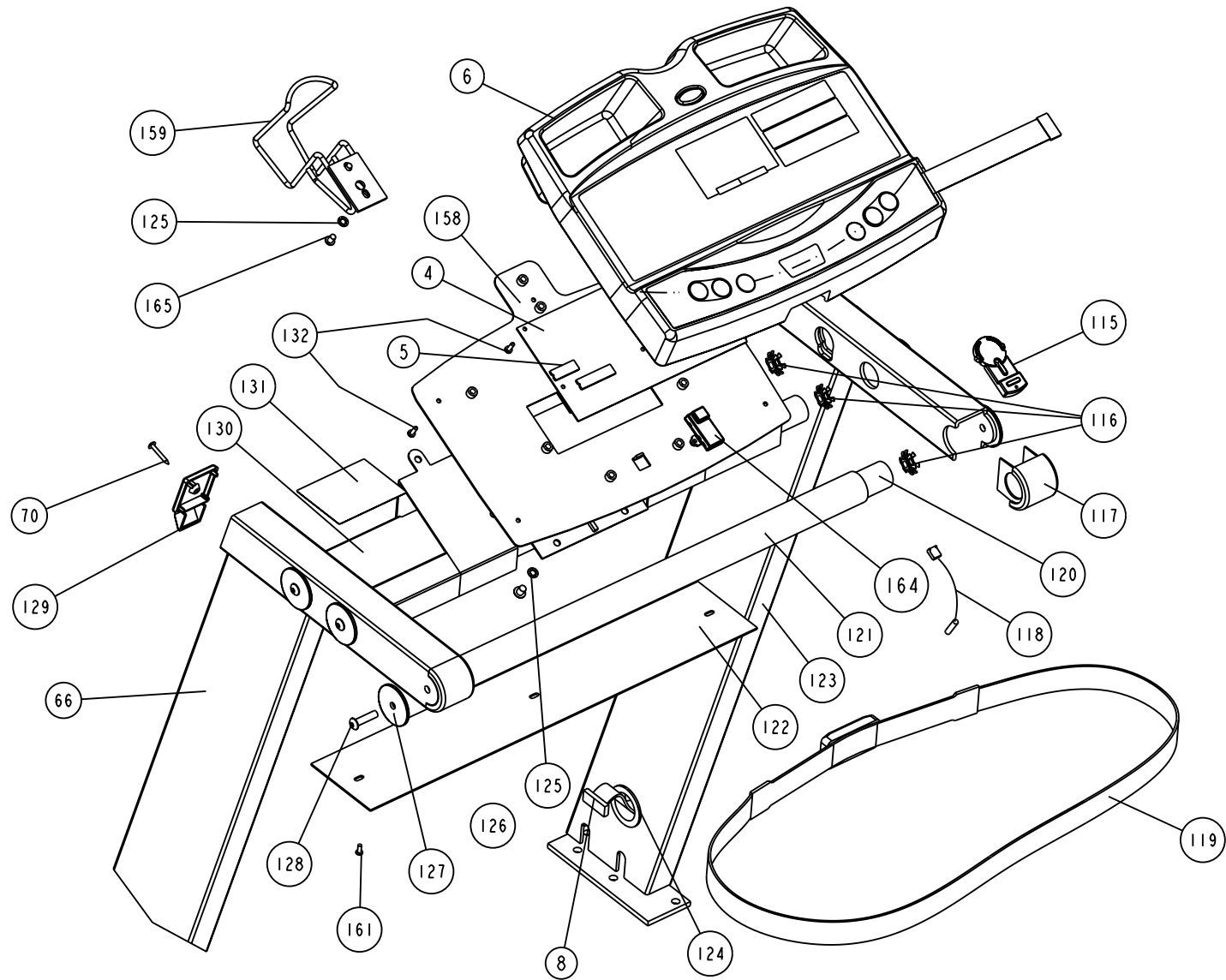


M945 i	38033-101	REV B
DRAWN BY GRANADOSIN	05.08.02	SHEET 1 OF 5

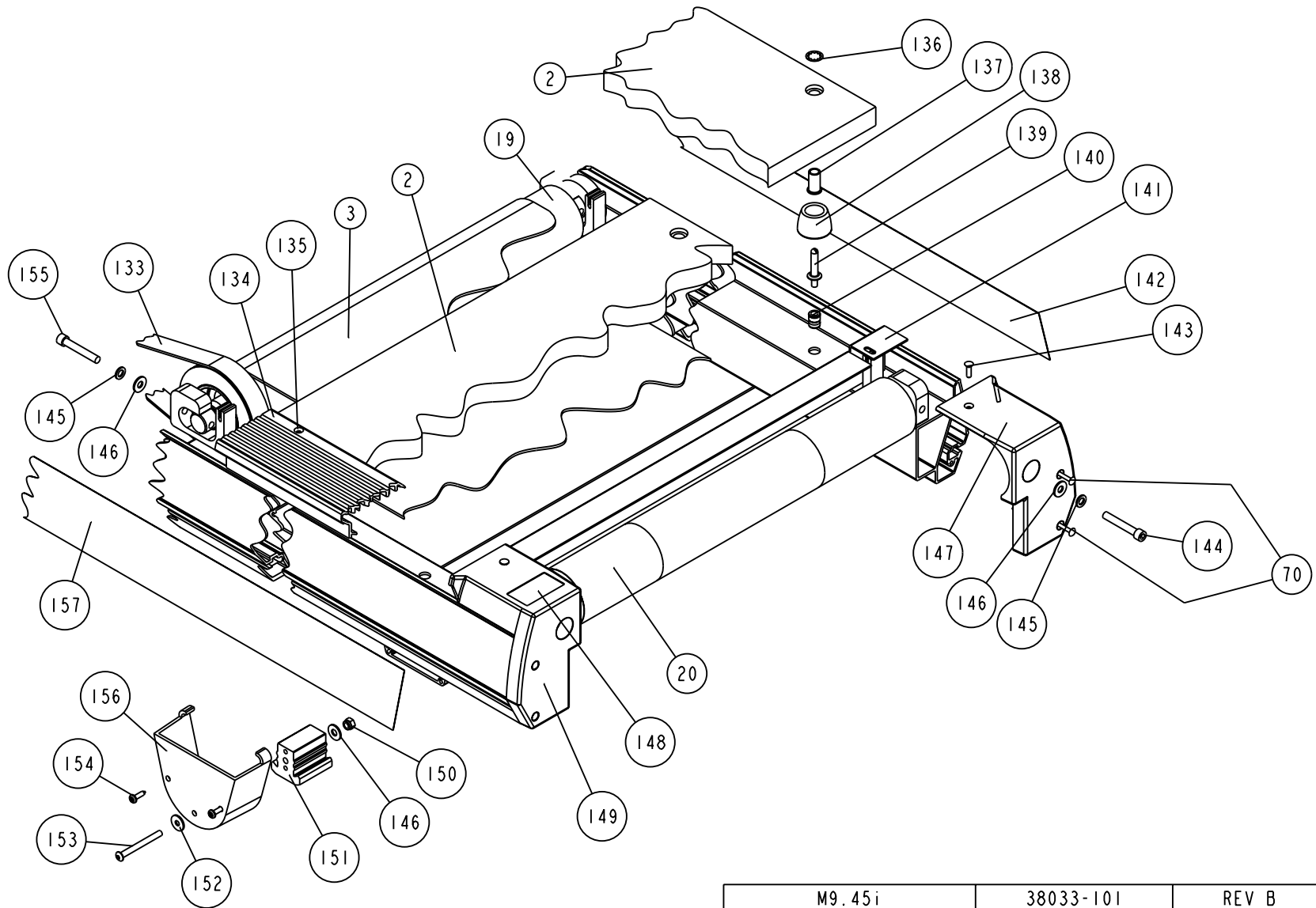




M9.45i	38033-101	REV B
DRAWN BY GRANADOSIN	05.08.02	SHEET 3 OF 5



M9.45i	38033-101	REV B
DRAWN BY GRANADOSIN	05.08.02	SHEET 4 OF 5



M9.45i	38033-101	REV B
DRAWN BY: GRANADOS IN	05.08.02	SHEET 5 OF 5

9.45i (serial code 3Y)

Part Number	Description	Bubble Number
50956-112	ASSY, FRAME W/LABELS, M9.45I	1
50984-101	ASSY,BED,941/945,STRETCH	2
36355-108	RUNNING, BELT, SIEGLING	3
38676-105	PCA, DISPLAY, SFT, CSAFE	4
43282-102	ASSY,PCA&SW,945I,UPR	4.01
38037-108	PROM,9.45I,V1.08	5
38024-101	ASSY,DISPLAY,ENCLOSURE,9.45I	6
36350-105	ASSY, CABLE INTERCONNECT, 63	8
37180-102	ASSY, LWR ELECT. MODULE	9
36615-101	MOTOR,DRIVE,90VDC,2HP,18AMPS	10
36833-102	ASSY,REMOTE SENSOR,TWISTED	11
37363-501	LABEL, FLYWHEEL TARGET, M9.45	12
10035-108	CAP,AL-E,2200UF,200V,2.02 X3.69	14
36893-101	MOTOR, LIFT ACTUATOR, M9.41S	16
37577-101	ASSY, DRIVE ROLLER	19
31825-102	ASSY, TAKE-UP ROLLER,	20
36956-102	ASSY, LINE CORD, 120V	23
10435-101	CKT BRKR,250V,MAGNETIC,ROCKER,	24
WATNN020-002	WASHER, LK-INT, #10, ID=.200,	50
10006-127	SCREW,S/T,#10X1/2,PANHD,PHIL,	51
KHCN019-013	LOCKNUT, STARWASHER, 10-32,	54
HNCN019-075	SCREW,MCH,10-32X3/4,HEX,ZN	55
CAKN025-050	SCREW,SKHD,1/4-20X0.50,BLK ZN,LK	56
KGCN038-033	LOCKNUT, STARWASHER, 3/8-16	57
RCNN038-425	SCREW,SHLDR,1/2 X 4 1/4 ,HEX	58
HCCN031-100	SCREW, HEX, GR 5, 5/16-18 X 1.0, ZN	59
WATNN033-003	WASHER, LK-INT, 5/16, ID=.325,	60
HDCN031-063	SCREW,HEX,GR 5,5/16-24X5/8,ZN	61
MGCN011-063	SCREW,MCH,4-40X5/8,PANHD,PHIL,	62
KGCN011-009	LOCKNUT, STARWASHER, 4-40	63
MHCN019-038	SCREW,MCH,10-32X3/8,PANHD,PHIL	64
KGCN031-027	LOCKNUT,STARWASHER,5/16-18,1/2	65
36553-206	WELDMENT, TARGA, LEFT,PAINT SILVER	66
59035-101	C94X & 9.4X SILVER TARGA RETRO KIT	66.01
WACN019-005	WASHER, FLT, #10X.500X.049,ZN	67
PGKN016-125	SCREW,S/T,#8X1-1/4,TRS,PHIL,	70
36551-501	PLATE, DRESS, PWM, PAINTED,	71
MGKN013-025	SCREW,MCH,6-32X1/4,PANHD,PHIL,	72
36855-101	ASSY, CABLE, CIRC BRKR CONTROL	76
33984-101	LABEL, SAFETY, GROUND SYMBOL	78
RANN038-150	SCR,SHLD,1/2 X 1-1/2 ,HEXSC	79
37488-101	BRACKET, SENSOR,9.45I,C942,9.45	80
BNCN031-350	J-BOLT, HOOK, 5/16-18X3.5,ZN	81
37477-102	FLYWHEEL, 9.45, C942	83
EMKN008-010	SCREW,SET,M8-1.25XM10,KNRLDCUP	84
10479-101	CAPACITOR CAP,2 OD X 1 HIGH	85
32560-101	FAN, MOTOR	86
36548-101	BRACKET, HOOD MOUNTING	88
36619-105	PAN, ELECTRONICS	89
KGCN016-013	LOCKNUT, STARWASHER 8-32, HEX	90

50974-105	ASSY, HOOD W/LABELS,	91
TAKN031-050	SCREW,BTHD,5/16-18X1/2,BLK ZN	92
33272-101	LABEL, CAPACITOR DISCHARGE	93
10036-101	CLAMP,CAPACITOR,2.0 NOM	94
MGCN016-063	SCREW,MCH,8-32X5/8,PANHD,PHIL,	95
MGCN016-038	SCREW,MCH,8-32X3/8,PANHD,PHIL,	97
37621-101	LABEL,GROUND EFFECTS,OVAL,DURO-LENZ	98
36618-103	BRACKET, MOTOR PIVOT, PLATED	99
KDCN038-025	LOCKNUT, FULL, 3/8-16, ZINC	100
WCCN031-008	WASHER, FLT, 5/16X.875X.083	101
36192-101	BUSHING, SPANNER	104
WBCN050-010	WASHER, FLT, 1/2, ID=.531,	105
HCKN050-250	SCREW,HEX,GR 5,1/2-13X2-1/2,BLK ZN	106
RCNN038-325	SCR,SHLD,1/2 X 3-1/4 ,HEXSC,	107
38867-101	ASSY,FAILSAFE CORD	115
10385-106	CONNECTOR, TUBE, 5/16-18, 1.25	116
36510-102	CAP, HANDRAIL	117
38819-102	TRANSMITTER, HEARTRATE,W/STRAP	119
59019-101	ASSY,HANDRAIL	120
36191-505	GRIP, HANDRAIL	121
37245-501	PLATE, TARGA SHIELD, PAINTED	122
36553-205	WELDMENT, TARGA, RIGHT,PAINT SILVER	123
10178-103	BUSHING, SNAP, 2300	124
WATNN025-003	WASHER, LK-INT, ID=.25,	125
TAKN025-038	SCREW,BTHD,1/4-20X3/8,BLK ZN	126
TAKE031-125	SCREW,BTHD,5/16-18X1-1/4,BLK ZN	128
36511-101	ENDCAP, TARGA	129
36600-201	WELDMENT, TARGA CROSSMEMBER,PT	130
38052-501	LABEL,SAFETY KEY,M941SI/945I	131
PMKN016-050	SCREW,TCS,#8X1/2,PHIL,BLK ZN,TYPE25	132
10217-103	BELT, DRIVE, 280J10 POLY V	133
36412-103	EXTRUSION, TRIM	134
DCKN019-100	SCREW,WOOD #10X1, L=1.00	135
37033-101	BUSHING, SOFT DECK	137
33563-102	SPRING, BED SUPPORT	138
36118-103	STUD, BED, HEX DRIVE	139
10546-102	NUTSERT, 5/16-18	140
36549-501	GUARD, FINGER, REAR, PAINTED	141
PPKN019-075	SCREW,S/T,#10X3/4,FLATHD,PHIL,	143
CCNN031-200	SCREW,SKHD,5/16-18X2,SS,LK	144
WCCN025-007	WASHER, FLT, 1/4X.734X.065	146
36409-101	ENDCAP, RIGHT	147
36409-102	ENDCAP, LEFT	149
KDKN025-023	LOCKNUT, FULL, 1/4-20, BLK ZN	150
36382-103	FOOT, C960	151
WCKN025-007	WASHER, PLAIN 1/4 BLACK	152
TAKN025-250	SCREW,BTHD,1/4-20X2-1/2,BLK ZN	153
PBKN019-075	SCREW,S/T,#10X3/4,PANHD,PHIL,	154
CAKN031-150	SCREW,SKHD,5/16-18X1.50,BLK ZN,LK	155
59006-101	ASSY, REAR FOOT C960	156
38808-501	ASSY, WATER BOTTLE CAGE,PT	159
MHKN019-038	SCREW,MCH,10-32X3/8,PANHD,PHIL	161

48026-101	RECEIVER, WIRELESS, HEART RATE, POL	164
37364-101	SPRAY, CONDUCTIVE, ECG, 60ML	199
50973-108	ASSY, SHIPPER, M9.45I/9.41SI	214
38023-501	KIT, HARDWARE, 9.41SI/9.45I	225
38035-101	OWNER'S MANUAL, 9.45I	227
40222-101	ADDENEUM, ODOMETER	227
10427-111	FUSE, SLOW, .25A, 250V, 1/4 DIA	250
10427-140	FUSE, SLOW, 2A, 250V, 1/4 DIA	251
20002-101	BRUSH, MOTOR (YP00507)	990
38031-103	KIT, LITERATURE, 9.45I	999